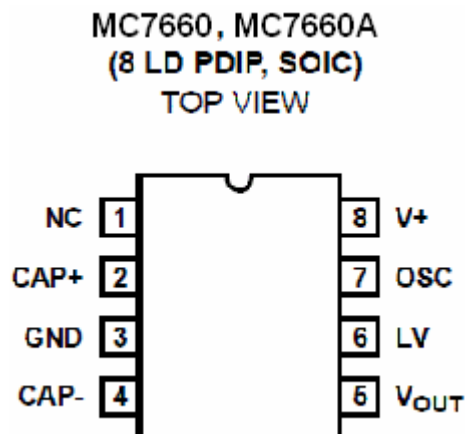


 **MC7660**
CMOS Voltage Converters

The Intersil MC7660 and MC7660A are monolithic CMOS power supply circuits which offer unique performance advantages over previously available devices. The MC7660 performs supply voltage conversions from positive to negative for an input range of +1.5V to +10.0V resulting in complementary output voltages of -1.5V to -10.0V and the MC7660A does the same conversions with an input range of +1.5V to +12.0V resulting in complementary output voltages of -1.5V to -12.0V. Only 2 noncritical external capacitors are needed for the charge pump and charge reservoir functions. The MC7660 and MC7660A can also be connected to function as voltage doublers and will generate output voltages up to +18.6V with a +10V input. Contained on the chip are a series DC supply regulator, RC oscillator, voltage level translator, and four output power MOS switches. A unique logic element senses the most negative voltage in the device and ensures that the output N-Channel switch source-substrate junctions are not forward biased. This assures latchup free operation.

The oscillator, when unloaded, oscillates at a nominal frequency of 10kHz for an input supply voltage of 5.0V. This frequency can be lowered by the addition of an external capacitor to the "OSC" terminal, or the oscillator may be overdriven by an external clock.

The "LV" terminal may be tied to GROUND to bypass the internal series regulator and improve low voltage (LV) operation. At medium to high voltages (+3.5V to +10.0V for the MC7660 and +3.5V to +12.0V for the MC7660A), the LV pin is left floating to prevent device latchup.

Pinouts**Features**

- Simple Conversion of +5V Logic Supply to $\pm 5V$ Supplies
- Simple Voltage Multiplication ($V_{OUT} = (-) nV_{IN}$)
- Typical Open Circuit Voltage Conversion Efficiency 99.9%
- Typical Power Efficiency 98%
- Wide Operating Voltage Range
 - MC7660 1.5V to 10.0V
 - MC7660A 1.5V to 12.0V
- MC7660A 100% Tested at 3V
- Easy to Use - Requires Only 2 External Non-Critical Passive Components
 - No External Diode Over Full Temp. and Voltage Range
 - Pb-Free Plus Anneal Available (RoHS Compliant)

Applications

- On Board Negative Supply for Dynamic RAMs
- Localized μ Processor (8080 Type) Negative Supplies
- Inexpensive Negative Supplies
- Data Acquisition Systems

Ordering Information

PART NUMBER		TEMP. RANGE (° C)	PACKAGE	PKG. DWG. #
MC7660CBA*	7660CBA	0 to 70	8 Ld SOIC (N)	M8.15
MC7660CBAZ* (See Note)	7660CBAZ	0 to 70	8 Ld SOIC (N) (Pb-free)	M8.15
MC7660CBAZA* (See Note)	7660CBAZ	0 to 70	8 Ld SOIC (N) (Pb-free)	M8.15
MC7660CPA	7660CPA	0 to 70	8 Ld PDIP	E8.3
MC7660CPAZ (See Note)	7660CPAZ	0 to 70	8 Ld PDIP** (Pb-free)	E8.3
MC7660ACBA*	7660ACBA	0 to 70	8 Ld SOIC (N)	M8.15
MC7660ACBAZA* (See Note)	7660ACBAZ	0 to 70	8 Ld SOIC (N) (Pb-free)	M8.15
MC7660ACPA	7660ACPA	0 to 70	8 Ld PDIP	E8.3
MC7660ACPAZ (See Note)	7660ACPAZ	0 to 70	8 Ld PDIP** (Pb-free)	E8.3
MC7660AIBA*	7660AIBA	-40 to 85	8 Ld SOIC (N)	M8.15
MC7660AIBAZA* (See Note)	7660AIBAZ	40 to 85	8 Ld SOIC (N) (Pb-free)	M8.15

*Add "-T" suffix to part number for tape and reel packaging.

**Pb-free PDIPs can be used for through hole wave solder processing only. They are not intended for use in Reflow solder processing applications.

NOTE: Intersil Pb-free plus anneal products employ special Pb-free material sets; molding compounds/die attach materials and 100% matte tin

plate termination finish, which are RoHS compliant and compatible with both SnPb and Pb-free soldering operations. Intersil Pb-free products are

MSL classified at Pb-free peak reflow temperatures that meet or exceed the Pb-free requirements of IPC/JEDEC J STD-020.

 **MC7660**
Absolute Maximum Ratings

Supply Voltage

MC7660 +10.5V

MC7660A +13.0V

LV and OSC Input Voltage -0.3V to (V+ +0.3V) for V+ < 5.5V

(Note 2) (V+ -5.5V) to (V+ +0.3V) for V+ > 5.5V

Current into LV (Note 2) 20 μ A for V+ > 3.5VOutput Short Duration (VSUPPLY \leq 5.5V) Continuous**Operating Conditions**

Temperature Range

MC7660C, MC7660AC. 0°C to 70°C

MC7660AI -40°C to 85°C

Thermal InformationThermal Resistance (Typical, Note 1) θ_{JA} (°C/W) θ_{JC} (°C/W)

PDIP Package* 110 N/A

SOIC Package 160 N/A

Maximum Storage Temperature Range. -65°C to 150°C

Maximum Lead Temperature (Soldering, 10s). 300°C

(SOIC - Lead Tips Only)

*Pb-free PDIPs can be used for through hole wave solder processing only. They are not intended for use in Reflow solder processing applications.

CAUTION: Stresses above those listed in "Absolute Maximum Ratings" may cause permanent damage to the device. This is a stress only rating and operation of the

device at these or any other conditions above those indicated in the operational sections of this specification is not implied.

NOTE:

1. θ_{JA} is measured with the component mounted on an evaluation PC board in free air.

Electrical Specifications MC7660 and MC7660A, $V_+ = 5V$, $T_A = 25^\circ C$, $C_{OSC} = 0$, Test Circuit Figure 11
Unless Otherwise Specified

PARAMETER	SYMBOL	TEST CONDITIONS	MC7660			MC7660A			UNITS
			MIN	TYP	MAX	MIN	TYP	MAX	
Supply Current	I_+	$R_L = \infty$	-	170	500	-	80	165	μA
Supply Voltage Range - Lo	V_{L+}	$MIN \leq T_A \leq MAX$, $R_L = 10k\Omega$, LV to GND	1.5	-	3.5	1.5	-	3.5	V
Supply Voltage Range - Hi	V_{H+}	$MIN \leq T_A \leq MAX$, $R_L = 10k\Omega$, LV to Open	3.0	-	10.0	3	-	12	V
Output Source Resistance	R_{OUT}	$I_{OUT} = 20mA$, $T_A = 25^\circ C$	-	55	100	-	60	100	Ω
		$I_{OUT} = 20mA$, $0^\circ C \leq T_A \leq 70^\circ C$	-	-	120	-	-	120	Ω
		$I_{OUT} = 20mA$, $-55^\circ C \leq T_A \leq 125^\circ C$	-	-	150	-	-	-	Ω
		$I_{OUT} = 20mA$, $-40^\circ C \leq T_A \leq 85^\circ C$	-	-	-	-	-	120	Ω
		$V_+ = 2V$, $I_{OUT} = 3mA$, LV to GND $0^\circ C \leq T_A \leq 70^\circ C$	-	-	300	-	-	300	Ω
		$V_+ = 2V$, $I_{OUT} = 3mA$, LV to GND, $-55^\circ C \leq T_A \leq 125^\circ C$	-	-	400	-	-	-	Ω
Oscillator Frequency	f_{OSC}		-	10	-	-	10	-	KHz
Power Efficiency	P_{EF}	$R_L = 5k\Omega$	95	98	-	96	98	-	%
Voltage Conversion Efficiency	$V_{OUT EF}$	$R_L = \infty$	97	99.9	-	99	99.9	-	%
Oscillator Impedance	Z_{OSC}	$V_+ = 2V$	-	1.0	-	-	1	-	$M\Omega$
		$V_+ = 5V$	-	100	-	-	-	-	$k\Omega$
MC7660A, $V_+ = 3V$, $T_A = 25^\circ C$, OSC = Free running, Test Circuit Figure 11, Unless Otherwise Specified									
Supply Current (Note 3)	I_+	$V_+ = 3V$, $R_L = \infty$, $25^\circ C$	-	-	-	-	26	100	μA
		$0^\circ C < T_A < 70^\circ C$	-	-	-	-	-	125	μA
		$-40^\circ C < T_A < 85^\circ C$	-	-	-	-	-	125	μA
Output Source Resistance	R_{OUT}	$V_+ = 3V$, $I_{OUT} = 10mA$	-	-	-	-	97	150	Ω
		$0^\circ C < T_A < 70^\circ C$	-	-	-	-	-	200	Ω
		$-40^\circ C < T_A < 85^\circ C$	-	-	-	-	-	200	Ω
Oscillator Frequency (Note 3)	f_{OSC}	$V_+ = 3V$ (same as 5V conditions)	-	-	-	5.0	8	-	KHz
		$0^\circ C < T_A < 70^\circ C$	-	-	-	3.0	-	-	KHz
		$-40^\circ C < T_A < 85^\circ C$	-	-	-	3.0	-	-	KHz

Electrical Specifications MC7660 and MC7660A, $V_+ = 5V$, $T_A = 25^\circ C$, $C_{OSC} = 0$, Test Circuit Figure 11

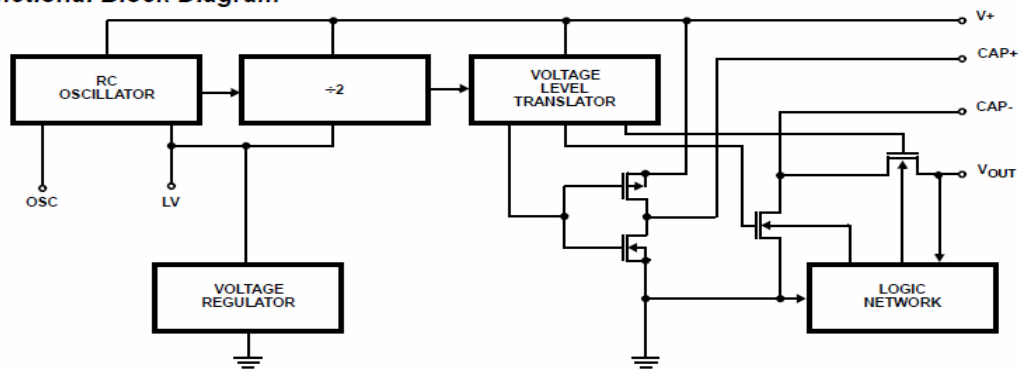
Unless Otherwise Specified **(Continued)**

PARAMETER	SYMBOL	TEST CONDITIONS	MC7660			MC7660A			UNITS
			MIN	TYP	MAX	MIN	TYP	MAX	
Voltage Conversion Efficiency	V_{OUTEFF}	$V_+ = 3V, R_L = \infty$	-	-	-	99	-	-	%
		$T_{MIN} < T_A < T_{MAX}$	-	-	-	99	-	-	%
Power Efficiency	P_{EFF}	$V_+ = 3V, R_L = 5k\Omega$	-	-	-	96	-	-	%
		$T_{MIN} < T_A < T_{MAX}$	-	-	-	95	-	-	%

NOTES:

- Connecting any input terminal to voltages greater than V_+ or less than GND may cause destructive latchup. It is recommended that no inputs from sources operating from external supplies be applied prior to "power up" of the MC7660, MC7660A.
- Derate linearly above $50^\circ C$ by $5.5mW/^\circ C$.
- In the test circuit, there is no external capacitor applied to pin 7. However, when the device is plugged into a test socket, there is usually a very small but finite stray capacitance present, of the order of $5pF$.
- The Intersil MC7660A can operate without an external diode over the full temperature and voltage range. This device will function in existing designs which incorporate an external diode with no degradation in overall circuit performance.

Functional Block Diagram



Typical Performance Curves (Test Circuit of Figure 11)

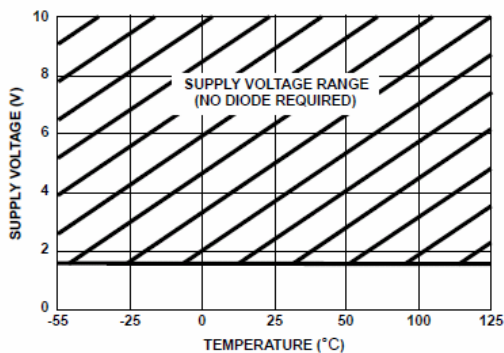


FIGURE 1. OPERATING VOLTAGE AS A FUNCTION OF TEMPERATURE

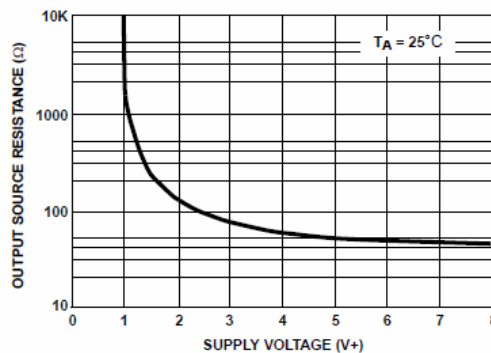


FIGURE 2. OUTPUT SOURCE RESISTANCE AS A FUNCTION OF SUPPLY VOLTAGE

Typical Performance Curves (Test Circuit of Figure 11) (Continued)

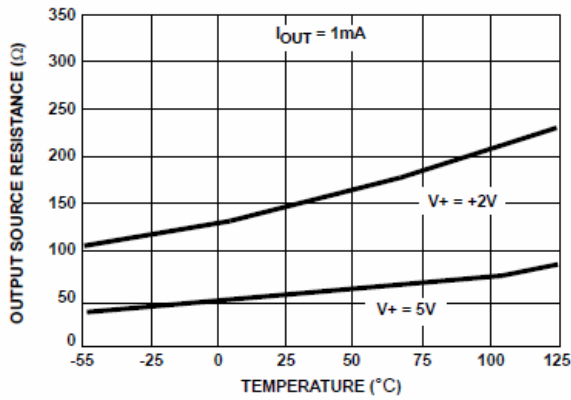


FIGURE 3. OUTPUT SOURCE RESISTANCE AS A FUNCTION OF TEMPERATURE

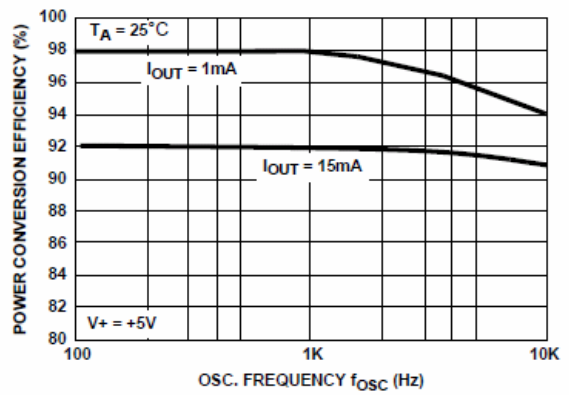


FIGURE 4. POWER CONVERSION EFFICIENCY AS A FUNCTION OF OSC. FREQUENCY

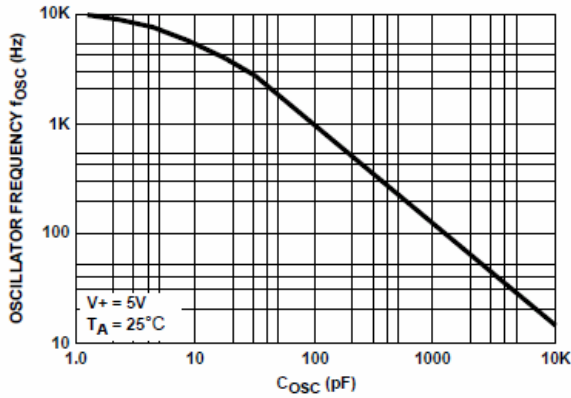


FIGURE 5. FREQUENCY OF OSCILLATION AS A FUNCTION OF EXTERNAL OSC. CAPACITANCE

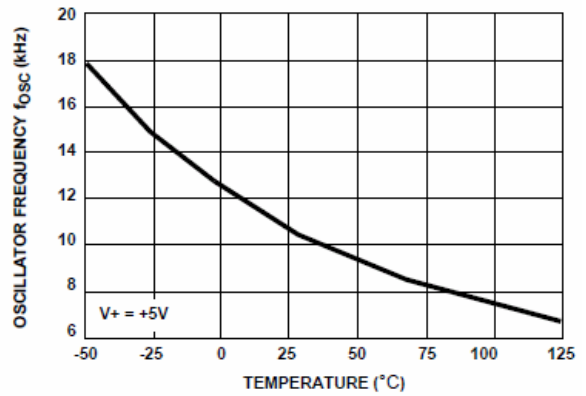


FIGURE 6. UNLOADED OSCILLATOR FREQUENCY AS A FUNCTION OF TEMPERATURE

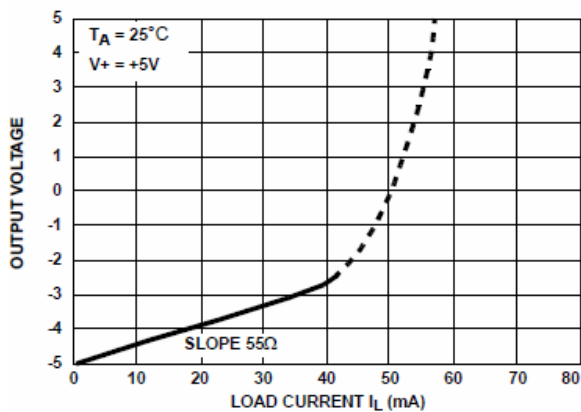


FIGURE 7. OUTPUT VOLTAGE AS A FUNCTION OF OUTPUT CURRENT

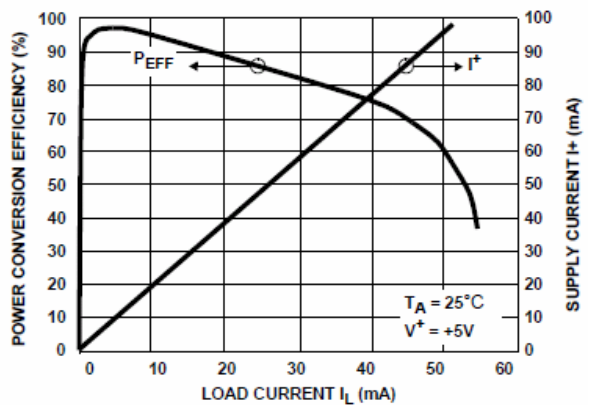


FIGURE 8. SUPPLY CURRENT AND POWER CONVERSION EFFICIENCY AS A FUNCTION OF LOAD CURRENT

Typical Performance Curves (Test Circuit of Figure 11) (Continued)

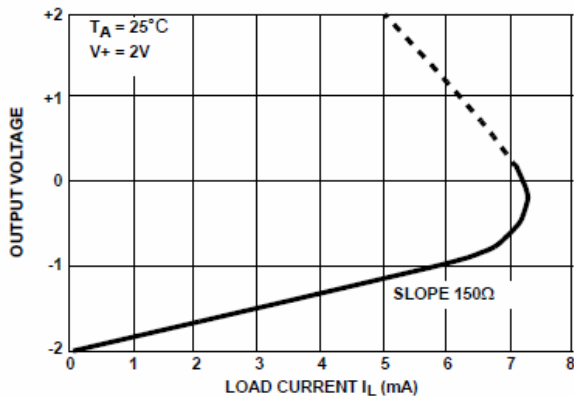


FIGURE 9. OUTPUT VOLTAGE AS A FUNCTION OF OUTPUT CURRENT

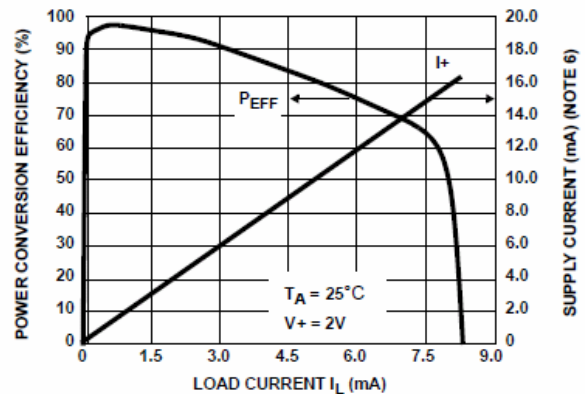
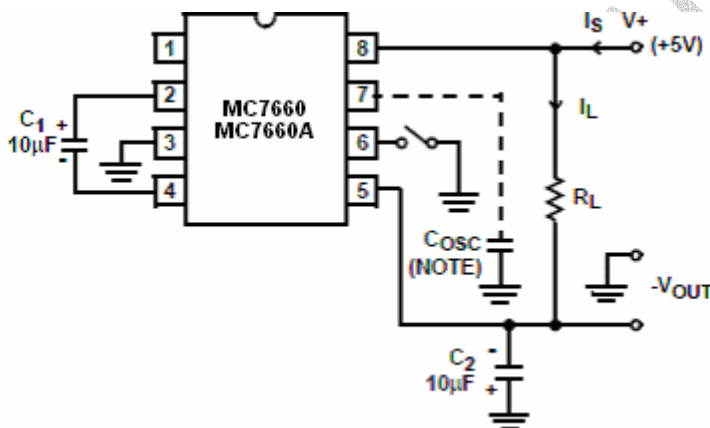


FIGURE 10. SUPPLY CURRENT AND POWER CONVERSION EFFICIENCY AS A FUNCTION OF LOAD CURRENT

NOTE:

6. These curves include in the supply current that current fed directly into the load R_L from the $V+$ (See Figure 11). Thus, approximately half the supply current goes directly to the positive side of the load, and the other half, through the MC7660/MC7660A, to the negative side of the load. Ideally, $V_{OUT} \sim 2V_{IN}$, $I_S \sim 2I_L$, so $V_{IN} \times I_S \sim V_{OUT} \times I_L$.



NOTE: For large values of C_{OSC} (>1000pF) the values of C_1 and C_2 should be increased to 100µF.

FIGURE 11. MC7660, MC7660A TEST CIRCUIT

Detailed Description

The MC7660 and MC7660A contain all the necessary circuitry to complete a negative voltage converter, with the exception of 2 external capacitors which may be inexpensive 10µF polarized electrolytic types. The mode of operation of the device may be best understood by considering Figure 12, which shows an idealized negative voltage converter. Capacitor C_1 is charged to a voltage, $V+$, for the half cycle when switches S_1 and S_3 are closed. (Note: Switches S_2 and S_4 are open during this half cycle.) During the second half cycle of operation, switches S_2 and S_4 are closed, with S_1 and S_3 open, thereby shifting capacitor C_1 negatively by $V+$ volts. Charge is then transferred from C_1 to C_2 such that the voltage on C_2 is exactly $V+$, assuming ideal switches and no load on C_2 . The MC7660 approaches this ideal situation more closely than existing non-mechanical circuits. In the MC7660 and MC7660A, the 4 switches of Figure 12 are MOS power switches; S_1 is a P-Channel device and S_2 , S_3 and S_4 are N-Channel devices. The main difficulty with this approach is that in integrating the switches, the substrates of S_3 and S_4 must always remain reverse biased with respect to their sources, but not so much as to degrade their "ON" resistances. In addition, at circuit start-up, and under output short circuit conditions ($V_{OUT} = V+$), the output voltage must be sensed and the substrate bias adjusted accordingly. Failure to accomplish this would result in high power losses and probable device latchup. This problem is eliminated in the MC7660 and MC7660A by a logic network which senses the output voltage (V_{OUT}) together with the level translators, and switches the substrates of S_3 and S_4 to the correct level to maintain necessary reverse bias.

The voltage regulator portion of the MC7660 and MC7660A is an integral part of the anti-latchup circuitry, however its inherent voltage drop can degrade operation at low voltages. Therefore, to improve low voltage operation the “LV” pin should be connected to GROUND, disabling the regulator. For supply voltages greater than 3.5V the LV terminal must be left open to insure latchup proof operation, and prevent device damage.

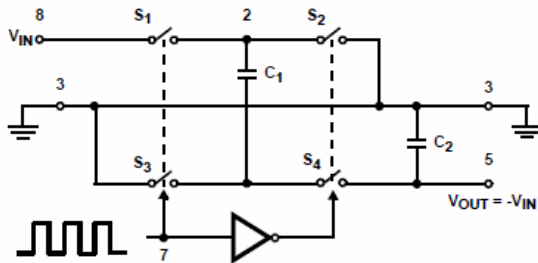


FIGURE 12. IDEALIZED NEGATIVE VOLTAGE CONVERTER

Theoretical Power Efficiency Considerations

In theory a voltage converter can approach 100% efficiency if certain conditions are met.

1. The driver circuitry consumes minimal power.
2. The output switches have extremely low ON resistance and virtually no offset.
3. The impedances of the pump and reservoir capacitors are negligible at the pump frequency. The MC7660 and MC7660A approach these conditions for negative voltage conversion if large values of C1 and C2 are used.

ENERGY IS LOST ONLY IN THE TRANSFER OF CHARGE BETWEEN CAPACITORS IF A CHANGE IN

$$E = \frac{1}{2} C_1 (V_1^2 - V_2^2)$$

VOLTAGE OCCURS. The energy lost is defined by:

where V1 and V2 are the voltages on C1 during the pump and transfer cycles. If the impedances of C1 and C2 are relatively high at the pump frequency (refer to Figure 12) compared to the value of RL, there will be a substantial difference in the voltages V1 and V2. Therefore it is not only desirable to make C2 as large as possible to eliminate output voltage ripple, but also to employ a correspondingly large value for C1 in order to achieve maximum efficiency of operation.

Do's And Don'ts

1. Do not exceed maximum supply voltages.
2. Do not connect LV terminal to GROUND for supply voltages greater than 3.5V.
3. Do not short circuit the output to V+ supply for supply voltages above 5.5V for extended periods, however, transient conditions including start-up are okay.
4. When using polarized capacitors, the + terminal of C1 must be connected to pin 2 of the MC7660 and MC7660A and the + terminal of C2 must be connected to GROUND.
5. If the voltage supply driving the MC7660 and MC7660A has a large source impedance (25Ω - 30Ω), then a 2.2μF capacitor from pin 8 to ground may be required to limit rate of rise of input voltage to less than 2V/μs.
6. User should insure that the output (pin 5) does not go more positive than GND (pin 3). Device latch up will occur under these conditions. A 1N914 or similar diode placed in parallel with C2 will prevent the device from latching up under these conditions. (Anode pin 5, Cathode pin 3).

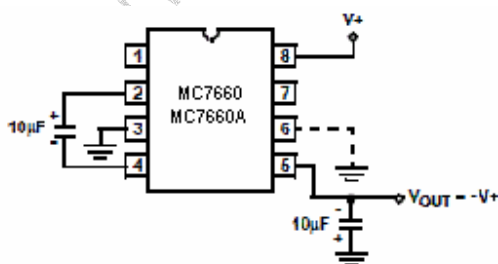


FIGURE 13A. CONFIGURATION

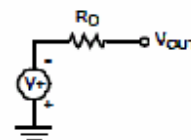


FIGURE 13B. THEVENIN EQUIVALENT

FIGURE 13. SIMPLE NEGATIVE CONVERTER

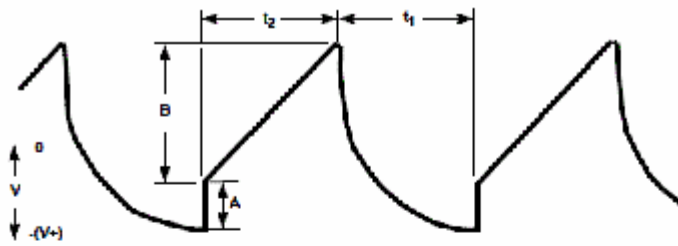


FIGURE 14. OUTPUT RIPPLE

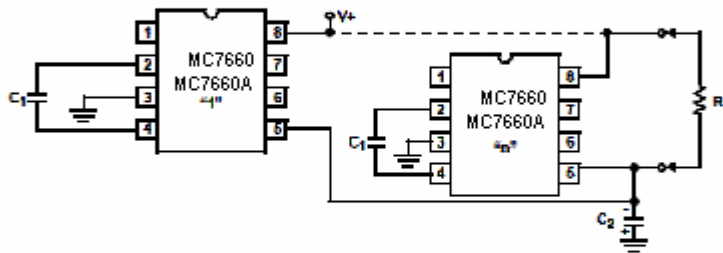


FIGURE 15. PARALLELING DEVICES

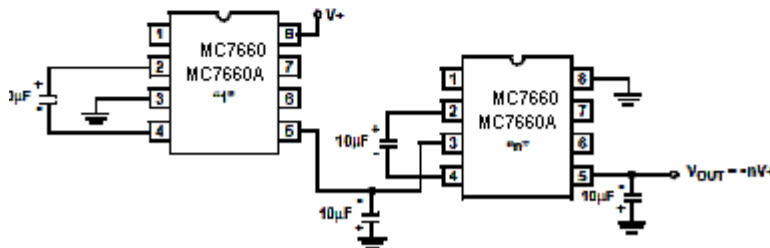


FIGURE 16. CASCADING DEVICES FOR INCREASED OUTPUT VOLTAGE

Typical Applications Simple Negative Voltage Converter

The majority of applications will undoubtedly utilize the MC7660 and MC7660A for generation of negative supply voltages. Figure 13 shows typical connections to provide a negative supply negative (GND) for supply voltages below 3.5V. The output characteristics of the circuit in Figure 13A can be approximated by an ideal voltage source in series with a resistance as shown in Figure 13B. The voltage source has a value of -V+. The output impedance (RO) is a function of the ON resistance of the internal MOS switches (shown in Figure 12), the switching frequency, the value of C1 and C2, and the ESR (equivalent series resistance) of C1 and C2. A good first order approximation for RO is:

$$R_O \cong 2(R_{SW1} + R_{SW3} + ESR_{C1}) + \frac{1}{(f_{PUMP})(C1)} + ESR_{C2}$$

$$R_O \cong 2(R_{SW2} + R_{SW4} + ESR_{C1}) + \frac{1}{(f_{PUMP})(C1)} + ESR_{C2}$$

($f_{PUMP} = \frac{f_{OSC}}{2}$, R_{SWX} = MOSFET switch resistance)

Combining the four R_{SWX} terms as R_{SW} , we see that:

$$R_O \cong 2(R_{SW}) + \frac{1}{(f_{PUMP})(C1)} + 4(ESR_{C1}) + ESR_{C2}$$

R_{SW} , the total switch resistance, is a function of supply voltage and temperature (See the Output Source Resistance graphs), typically 23Ω at 25°C and 5V . Careful selection of C1 and C2 will reduce the remaining terms, minimizing the output impedance. High value capacitors will reduce the $1/(f_{PUMP} \cdot C1)$ component, and low ESR capacitors will lower the ESR term. Increasing the oscillator frequency will reduce the $1/(f_{PUMP} \cdot C1)$ term, but may have the side effect of a net increase in output impedance when $C1 > 10\mu\text{F}$ and there is no longer enough time to fully charge the capacitors

every cycle. In a typical application where $f_{OSC} = 10\text{kHz}$ and

$$C = C_1 = C_2 = 10\mu\text{F};$$

$$R_O \cong 2(23) + \frac{1}{(5 \cdot 10^3)(10^{-5})} + 4(ESR_{C1}) + ESR_{C2}$$

$$R_O \cong 46 + 20 + 5(ESR_C)$$

Since the ESRs of the capacitors are reflected in the output impedance multiplied by a factor of 5, a high value could potentially swamp out a low $1/(f_{PUMP} \cdot C1)$ term, rendering an increase in switching frequency or filter capacitance ineffective. Typical electrolytic capacitors may have ESRs as high as 10Ω .

$$R_O \cong 2(23) + \frac{1}{(5 \cdot 10^3)(10^{-5})} + 4(ESR_{C1}) + ESR_{C2}$$

$$R_{O_f} \cong 46 + 20 + 5(ESR_C)$$

Since the ESRs of the capacitors are reflected in the output impedance multiplied by a factor of 5, a high value could potentially swamp out a low $1/(f_{PUMP} \cdot C1)$ term, rendering an increase in switching frequency or filter capacitance ineffective. Typical electrolytic capacitors may have ESRs as high as 10Ω .

Output Ripple

ESR also affects the ripple voltage seen at the output. The total ripple is determined by 2 voltages, A and B, as shown in Figure 14. Segment A is the voltage drop across the ESR of C2 at the instant it goes from being charged by C1 (current flow into C2) to being discharged through the load (current flowing out of C2). The magnitude of this current change is $2 \cdot I_{OUT}$, hence the total drop is $2 \cdot I_{OUT} \cdot eSR_{C2}$. Segment B is the voltage change across C2 during time t_2 , the half of the cycle when C2 supplies current to the load. The drop at B is $I_{OUT} \cdot t_2/C2$. The peak-to-peak ripple voltage is the sum of these voltage drops:

$$V_{RIPPLE} \cong \left[\frac{1}{2(f_{PUMP})(C2)} + 2(ESR_{C2}) \right] I_{OUT}$$

Again, a low ESR capacitor will result in a higher

performance output.

Paralleling Devices

Any number of MC7660 and MC7660A voltage converters may be paralleled to reduce output resistance. The reservoir capacitor, C2, serves all devices via a common output capacitor, C1. The resultant output resistance would be approximately:

$$R_{OUT} = \frac{R_{OUT} \text{ (of ICL7660/ICL7660A)}}{n \text{ (number of devices)}}$$

Cascading Devices

The MC7660 and MC7660A may be cascaded as shown to produce larger negative multiplication of the initial supply voltage. However, due to the finite efficiency of each device, the practical limit is 10 devices for light loads. The output

voltage is defined by: $V_{OUT} = -n(V_{IN})$, where n is an integer representing the number of devices

cascaded. The resulting output resistance would be approximately the weighted sum of the individual MC7660 and MC7660A R_{OUT} values.

Changing the MC7660/MC7660A Oscillator Frequency

Frequency

It may be desirable in some applications, due to noise or other considerations, to increase the oscillator frequency. This is achieved by overdriving the oscillator from an external clock, as shown in Figure 17. In order to prevent possible device latchup, a $1\text{k}\Omega$ resistor must be used in series with the clock output. In a situation where the designer has generated the external clock frequency using TTL logic, the addition of a $10\text{k}\Omega$ pullup resistor to $V+$ supply is required. Note that the pump frequency with external clocking, as with internal clocking, will be 1/2 of the clock frequency. Output transitions occur on the positive-going edge of the clock.

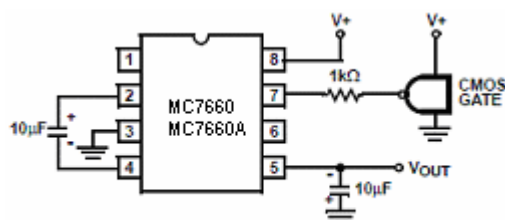


FIGURE 17. EXTERNAL CLOCKING

It is also possible to increase the conversion efficiency of the MC7660 and MC7660A at low load levels by lowering the oscillator frequency. This reduces the switching losses, and is shown in Figure 18. However, lowering the oscillator frequency will cause an undesirable increase in the impedance of the pump (C1) and reservoir (C2) capacitors; this is overcome by increasing the values of C1 and C2 by the same factor that the frequency has been reduced. For example, the addition of a 100pF capacitor between pin 7 (OSC) and V+ will lower the oscillator frequency to 1kHz from its nominal frequency of 10kHz (a multiple of 10), and thereby necessitate a corresponding increase in the value of C1 and C2 (from 10 μ F to 100 μ F).

MICROCELL-IC

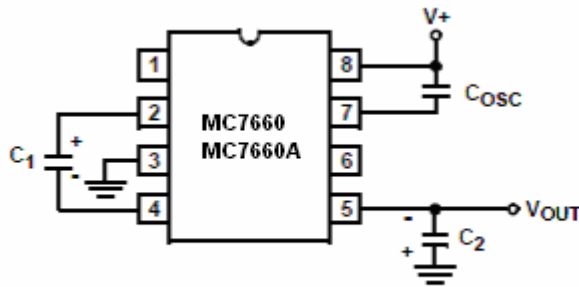


FIGURE 18. LOWERING OSCILLATOR FREQUENCY

Positive Voltage Doubling

The MC7660 and MC7660A may be employed to achieve positive voltage doubling using the circuit shown in Figure 19. In this application, the pump inverter switches of the MC7660 and MC7660A are used to charge C1 to a voltage level of $V+ - VF$ (where $V+$ is the supply voltage and VF is the forward voltage drop of diode D1). On the transfer cycle, the voltage on C1 plus the supply voltage ($V+$) is applied through diode D2 to capacitor C2. The voltage thus created on C2 becomes $(2V+) - (2VF)$ or twice the supply voltage minus the combined forward voltage drops of diodes D1 and D2.

The source impedance of the output (V_{OUT}) will depend on the output current, but for $V+ = 5V$ and an output current of 10mA it will be approximately 60Ω .

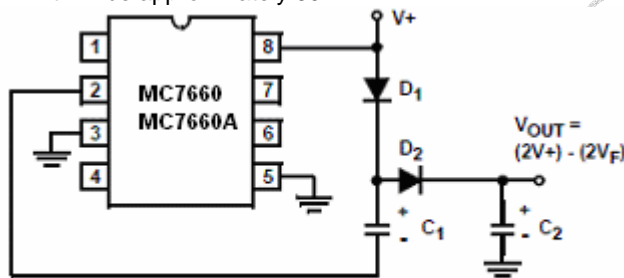


FIGURE 19. POSITIVE VOLT DOUBLER

Combined Negative Voltage Conversion and Positive Supply Doubling

Figure 20 combines the functions shown in Figures 13 and Figure 19 to provide negative voltage conversion and positive voltage doubling simultaneously. This approach would be, for example, suitable for generating +9V and -5V from an existing +5V supply. In this instance capacitors C1 and C3 perform the pump and reservoir functions respectively for the generation of the negative voltage, while capacitors C2 and C4 are pump and reservoir respectively for the doubled positive voltage. There is a penalty in this configuration which combines both functions, however, in that the source impedances of the generated supplies will be somewhat higher due to the finite impedance of the common charge pump driver at pin 2 of the device.

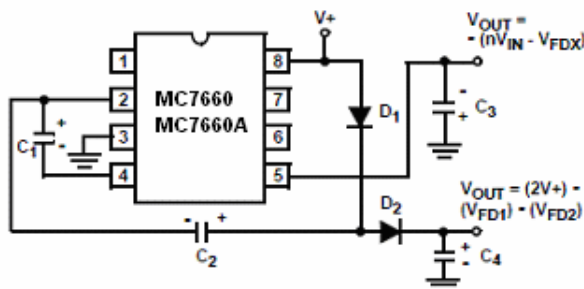


FIGURE 20. COMBINED NEGATIVE VOLTAGE CONVERTER AND POSITIVE DOUBLER

Voltage Splitting

The bidirectional characteristics can also be used to split a higher supply in half, as shown in Figure 21. The combined load will be evenly shared between the two sides. Because the switches share the load in parallel, the output impedance is much lower than in the standard circuits, and higher currents can be drawn from the device. By using this circuit, and then the circuit of Figure 16, +15V can be converted (via +7.5, and -7.5) to a nominal -15V, although with rather high series output resistance (~250Ω).

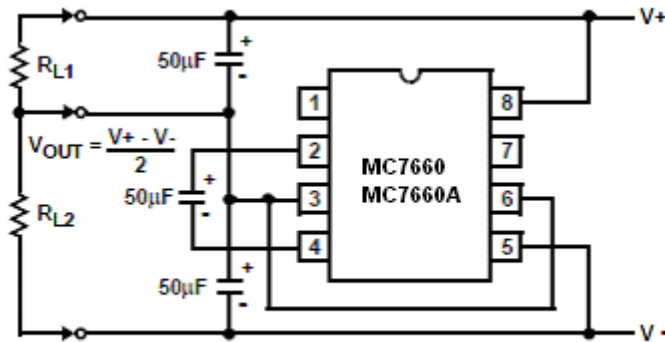


FIGURE 21. SPLITTING A SUPPLY IN HALF

Regulated Negative Voltage Supply

In some cases, the output impedance of the MC7660 and MC7660A can be a problem, particularly if the load current varies substantially. The circuit of Figure 22 can be used to overcome this by controlling the input voltage, via an ICL7611 low-power CMOS op amp, in such a way as to maintain a nearly constant output voltage. Direct feedback is inadvisable, since the MC7660s and MC7660As output does not respond instantaneously to change in input, but only after the switching delay. The circuit shown supplies enough delay to accommodate the MC7660 and MC7660A, while maintaining adequate feedback. An increase in pump and storage capacitors is desirable, and the values shown provides an output impedance of less than 5Ω to a load of 10mA.

Other Applications

Further information on the operation and use of the MC7660 and MC7660A may be found in AN051 “Principals and Applications of the MC7660 and MC7660A CMOS Voltage Converter”.

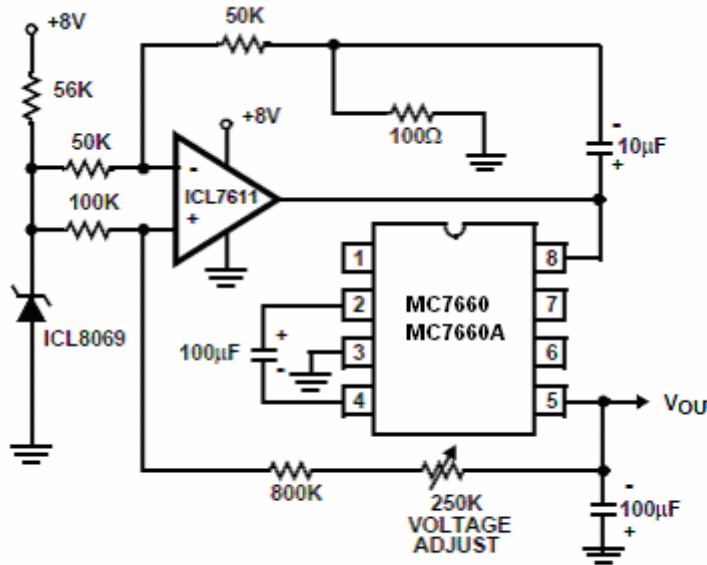


FIGURE 22. REGULATING THE OUTPUT VOLTAGE

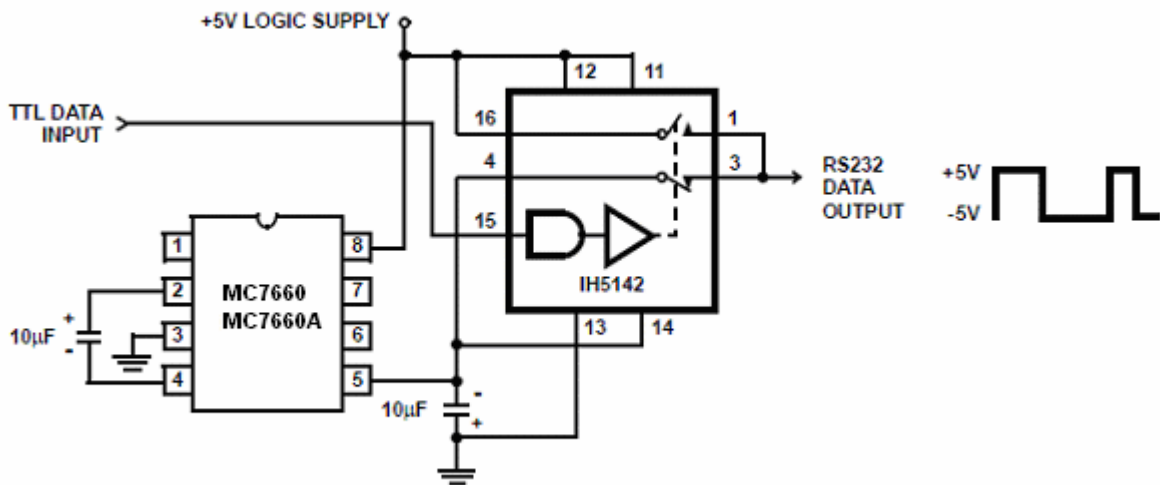


FIGURE 23. RS232 LEVELS FROM A SINGLE 5V SUPPLY