

MC336-2.5

Reference Diode

General Description

The LM136-2.5/LM236-2.5 and MC336-2.5 integrated circuits are precision 2.5V shunt regulator diodes. These monolithic IC voltage references operate as a low-temperature-coefficient 2.5V zener with 0.2Ω dynamic impedance. A third terminal on the LM136-2.5 allows the reference voltage and temperature coefficient to be trimmed easily.

The LM136-2.5 series is useful as a precision 2.5V low voltage reference for digital voltmeters, power supplies or op amp circuitry. The 2.5V make it convenient to obtain a stable reference from 5V logic supplies. Further, since the LM136-2.5 operates as a shunt regulator, it can be used as either a positive or negative voltage reference.

The LM136-2.5 is rated for operation over -55°C to +125°C while the LM236-2.5 is rated over a -25°C to +85°C temperature range.

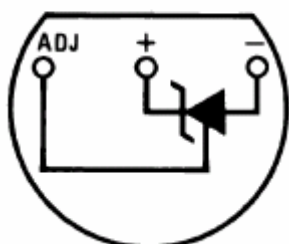
The MC336-2.5 is rated for operation over a 0°C to +70°C temperature range. See the connection diagrams for available packages.

Features

- Low temperature coefficient
- Wide operating current of 400 μA to 10 mA
- 0.2Ω dynamic impedance
- ±1% initial tolerance available
- Guaranteed temperature stability
- Easily trimmed for minimum temperature drift
- Fast turn-on
- Three lead transistor package

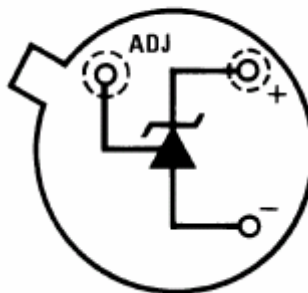
Connection Diagrams

TO-92
Plastic Package



DS005715-8

TO-46
Metal Can Package



DS005715-20

Order Number LM236Z-2.5,
LM236AZ-2.5, MC336Z-2.5 or MC336BZ-2.5
See NS Package Number Z03A

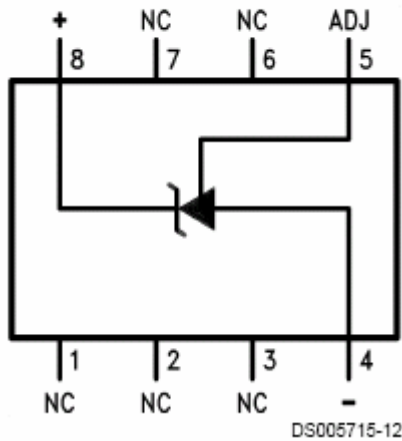
Bottom View

Order Number LM136H-2.5,
LM136H-2.5/883, LM236H-2.5,
LM136AH-2.5, LM136AH-2.5/883
or LM236AH-2.5
See NS Package Number H03H

MC336-2.5

Connection Diagrams (Continued)

SO Package



Top View

Order Number LM236M-2.5,

LM236AM-2.5, MC336M-2.5

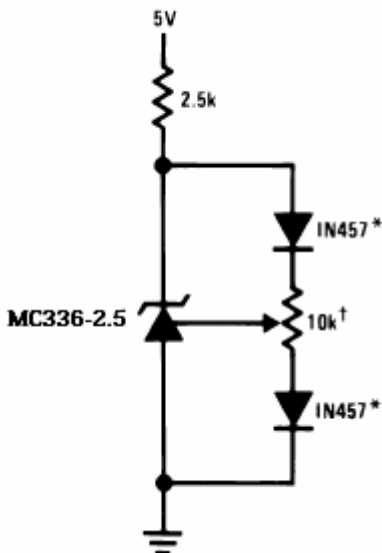
or MC336BM-2.5

See NS Package Number M08A

Typical Applications

2.5V Reference with Minimum

Temperature Coefficient



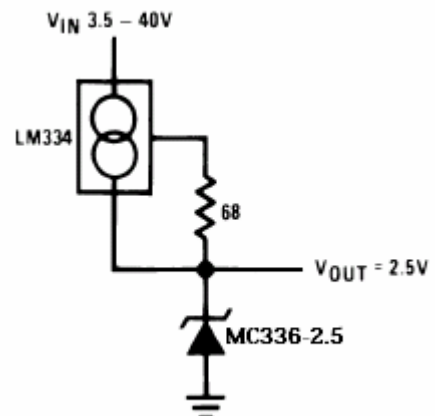
†Adjust to 2.490V

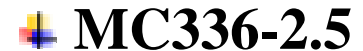
*Any silicon signal diode

Absolute Maximum Ratings (Note 1)

Version 1.0

Wide Input Range Reference




Absolute Maximum Ratings (Note 1)

If Military/Aerospace specified devices are required, please contact the National Semiconductor Sales Office/ Distributors for availability and specifications.

Reverse Current	15 mA
Forward Current	10 mA
Storage Temperature	-60°C to +150°C
Operating Temperature Range (Note 2)	
LM136	-55°C to +150°C
LM236	-25°C to +85°C
MC336	0°C to +70°C
Soldering Information	
TO-92 Package (10 sec.)	260°C
TO-46 Package (10 sec.)	300°C
SO Package	
Vapor Phase (60 sec.)	215°C
Infrared (15 sec.)	220°C

See AN-450 "Surface Mounting Methods and Their Effect on Product Reliability" (Appendix D) for other methods of soldering surface mount devices.

Electrical Characteristics (Note 3)

Parameter	Conditions	LM136A-2.5/LM236A-2.5			MC336B-2.5			Units
		Min	Typ	Max	Min	Typ	Max	
Reverse Breakdown Voltage	$T_A=25^\circ\text{C}$, $I_R=1\text{ mA}$							
	LM136, LM236, MC336	2.440	2.490	2.540	2.390	2.490	2.590	V
	LM136A, LM236A, MC336B	2.465	2.490	2.515	2.440	2.490	2.540	V
Reverse Breakdown Change With Current	$T_A=25^\circ\text{C}$, $400\ \mu\text{A}\leq I_R\leq 10\text{ mA}$		2.6	6		2.6	10	mV
Reverse Dynamic Impedance	$T_A=25^\circ\text{C}$, $I_R=1\text{ mA}$, $f=100\text{ Hz}$		0.2	0.6		0.2	1	Ω
Temperature Stability (Note 4)	V_R Adjusted to 2.490V $I_R=1\text{ mA}$, Figure 2							
	$0^\circ\text{C}\leq T_A\leq 70^\circ\text{C}$ (MC336)					1.8	6	mV
	$-25^\circ\text{C}\leq T_A\leq +85^\circ\text{C}$ (LM236H, LM236Z)		3.5	9				mV
	$-25^\circ\text{C}\leq T_A\leq +85^\circ\text{C}$ (LM236M)		7.5	18				mV
	$-55^\circ\text{C}\leq T_A\leq +125^\circ\text{C}$ (LM136)		12	18				mV
Reverse Breakdown Change With Current	$400\ \mu\text{A}\leq I_R\leq 10\text{ mA}$		3	10		3	12	mV
Reverse Dynamic Impedance	$I_R=1\text{ mA}$		0.4	1		0.4	1.4	Ω
Long Term Stability	$T_A=25^\circ\text{C}\pm 0.1^\circ\text{C}$, $I_R=1\text{ mA}$, $t=1000\text{ hrs}$		20			20		ppm

Note 1: Absolute Maximum Ratings indicate limits beyond which damage to the device may occur. Electrical specifications do not apply when operating the device beyond its specified operating conditions.

Note 2: For elevated temperature operation, T_J max is:

LM136 150°C

LM236 125°C

MC336 100°C

Thermal Resistance	TO-92	TO-46	SO-8
θ_{JA} (Junction to Ambient)	180°C/W (0.4" leads) 170°C/W (0.125" lead)	440°C/W	165°C/W
θ_{JC} (Junction to Case)	n/a	80°C/W	n/a

Note 3: Unless otherwise specified, the LM136-2.5 is specified from $-55^\circ\text{C}\leq T_A\leq +125^\circ\text{C}$, the LM236-2.5 from $-25^\circ\text{C}\leq T_A\leq +85^\circ\text{C}$ and the MC336-2.5 from 0°C

$\leq T_A\leq +70^\circ\text{C}$.

Note 4: Temperature stability for the MC336 and LM236 family is guaranteed by design. Design limits are guaranteed (but not 100% production tested) over the indicated

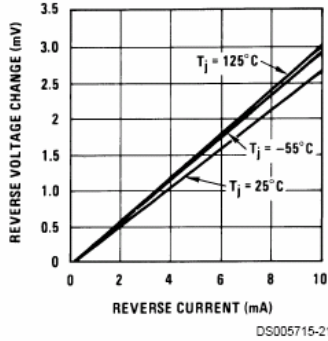
temperature and supply voltage ranges. These limits are not used to calculate outgoing quality levels. Stability is defined as the maximum change in V_{REF} from

25°C to T_A (min) or T_A (max).

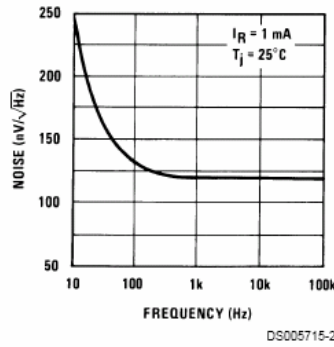
MC336-2.5

Typical Performance Characteristics

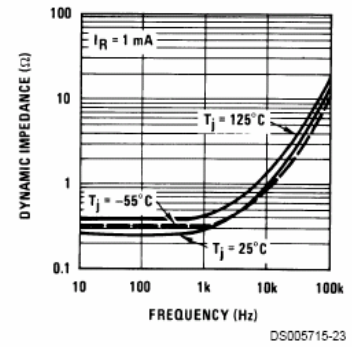
Reverse Voltage Change



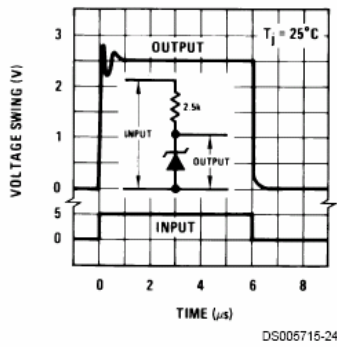
Zener Noise Voltage



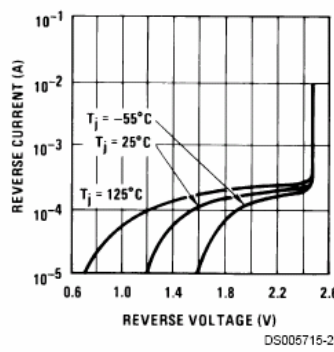
Dynamic Impedance



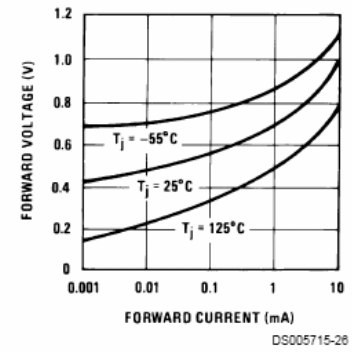
Response Time



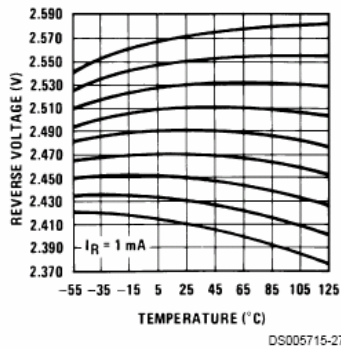
Reverse Characteristics



Forward Characteristics



Temperature Drift



MC336-2.5

Application Hints

The LM136 series voltage references are much easier to use than ordinary zener diodes. Their low impedance and wide operating current range simplify biasing in almost any circuit. Further, either the breakdown voltage or the temperature coefficient can be adjusted to optimize circuit performance.

Figure 1 shows an LM136 with a 10k potentiometer for adjusting the reverse breakdown voltage. With the addition of R1 the breakdown voltage can be adjusted without affecting the temperature coefficient of the device. The adjustment range is usually sufficient to adjust for both the initial device tolerance and inaccuracies in buffer circuitry.

If minimum temperature coefficient is desired, two diodes can be added in series with the adjustment potentiometer as shown in Figure 2. When the device is adjusted to 2.490V the temperature coefficient is minimized. Almost any silicon signal diode can be used for this purpose such as a 1N914, 1N4148 or a 1N457. For proper temperature compensation the diodes should be in the same thermal environment as the LM136. It is usually sufficient to mount the diodes near the LM136 on the printed circuit board. The absolute resistance of R1 is not critical and any value from 2k to 20k will work.

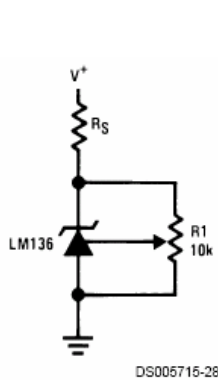


FIGURE 1. LM136 With Pot for Adjustment of Breakdown Voltage
(Trim Range = ±120 mV typical)

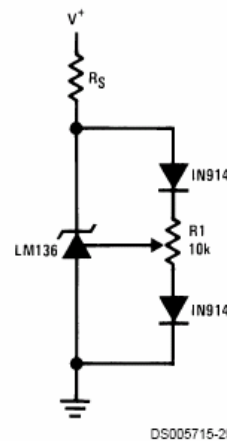
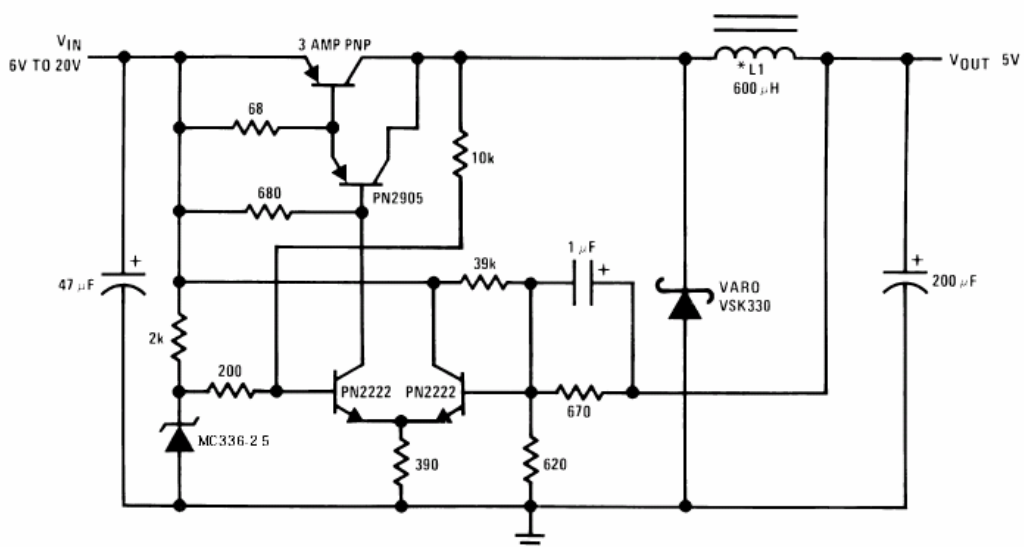


FIGURE 2. Temperature Coefficient Adjustment
(Trim Range = ±70 mV typical)

Low Cost 2 Amp Switching Regulator†



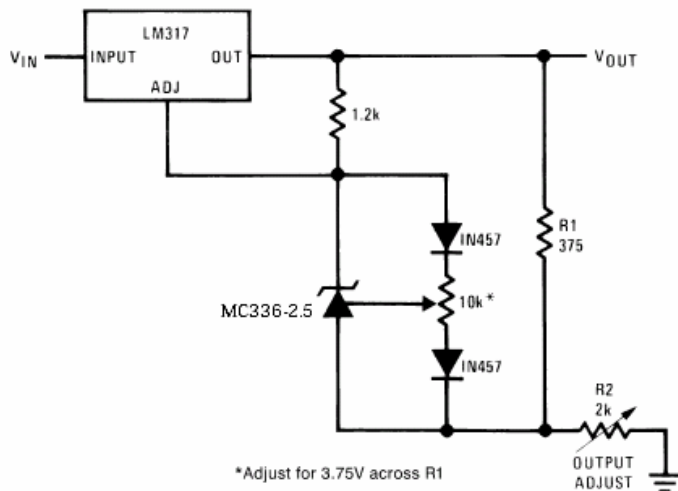
†L1 60 turns #16 wire on Arnold Core A-254168-2

†Efficiency ≈ 80%

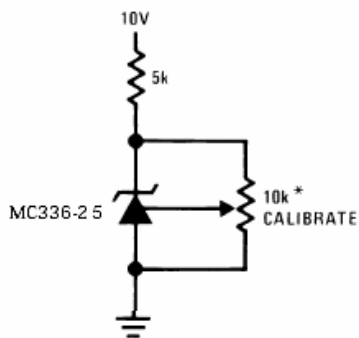
MC336-2.5

Application Hints (Continued)

Precision Power Regulator with Low Temperature Coefficient



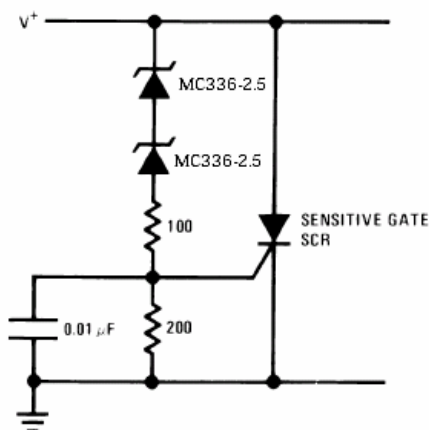
Trimmed 2.5V Reference with Temperature Coefficient Independent of Breakdown Voltage



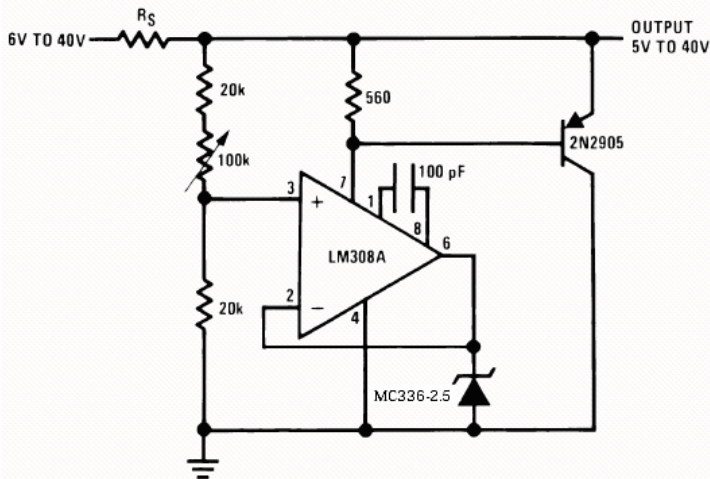
DS005716-15

*Does not affect temperature coefficient

5V Crowbar

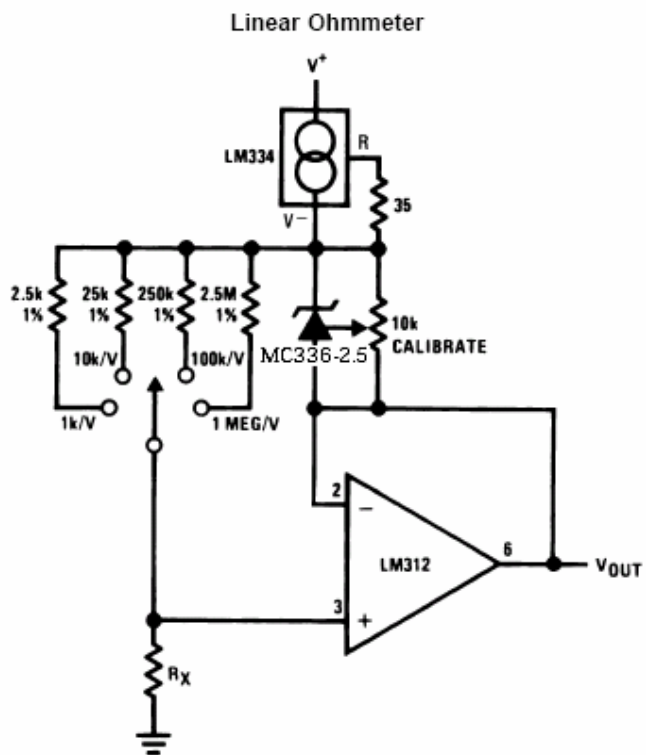


Adjustable Shunt Regulator



MC336-2.5

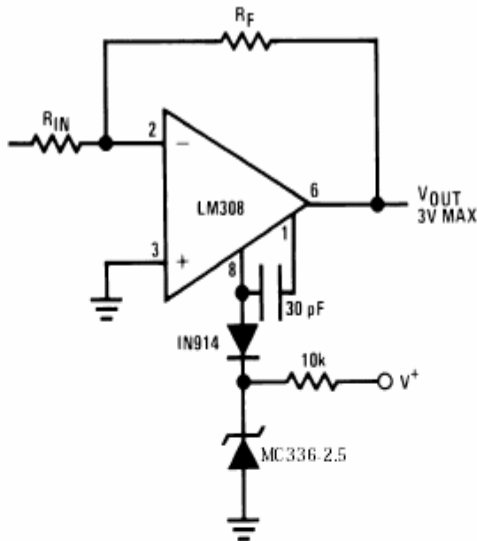
Application Hints (Continued)



MC336-2.5

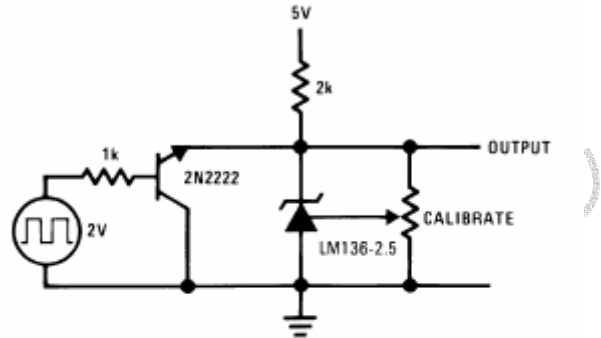
Application Hints (Continued)

Op Amp with Output Clamped



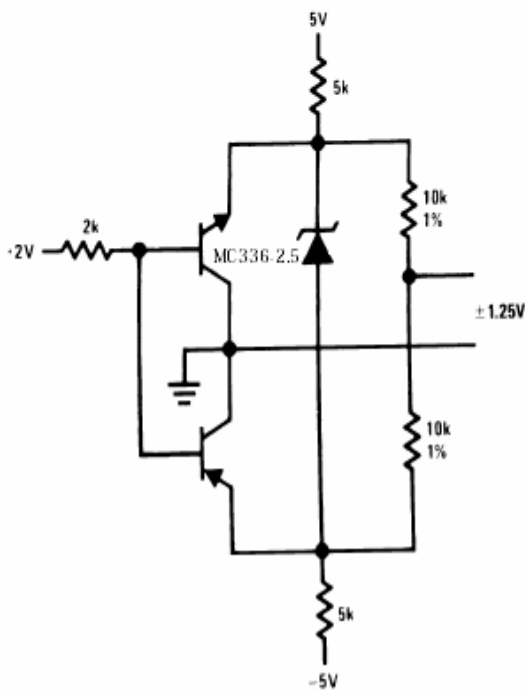
D8005715-17

2.5V Square Wave Calibrator

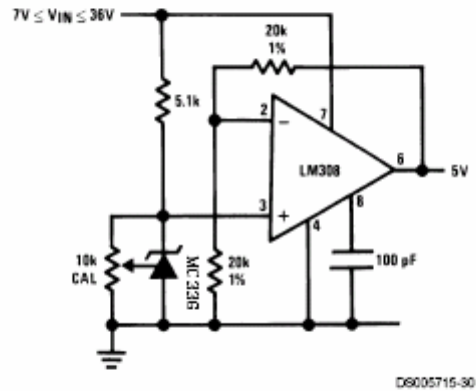


D8005715-19

Bipolar Output Reference

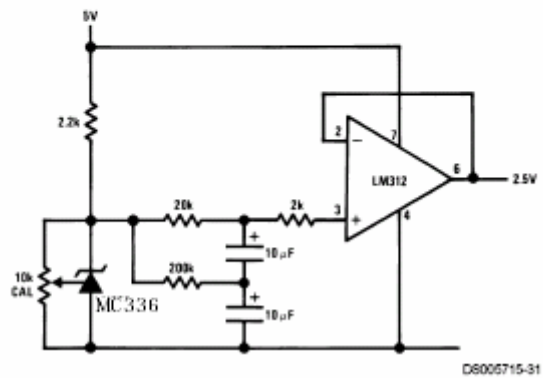


5V Buffered Reference



D8005715-30

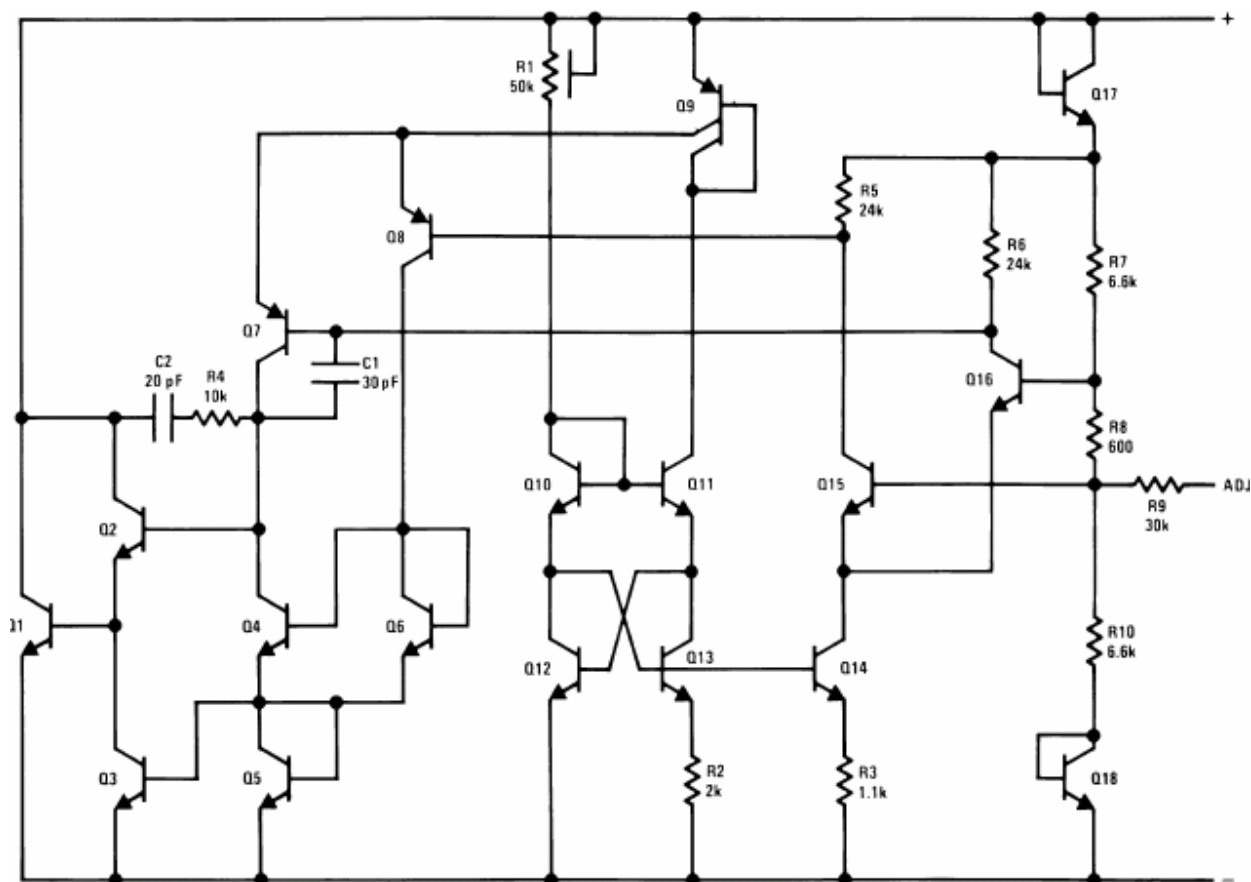
Low Noise Buffered Reference



D8005715-31

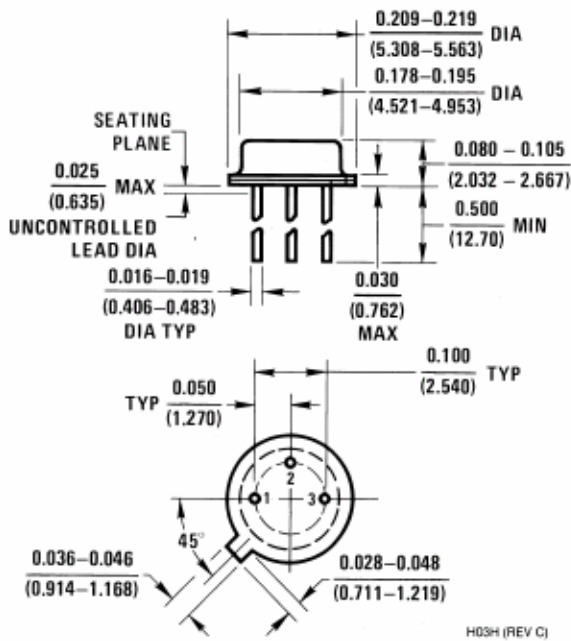
MC336-2.5

Schematic Diagram



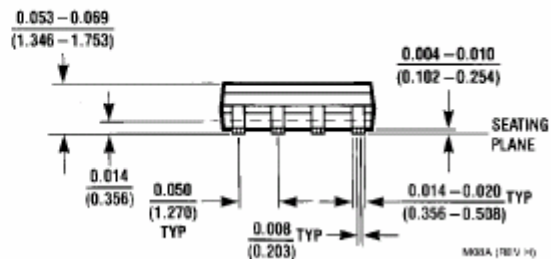
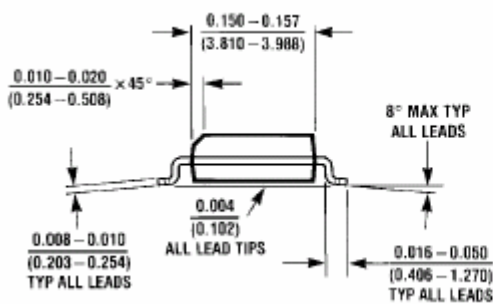
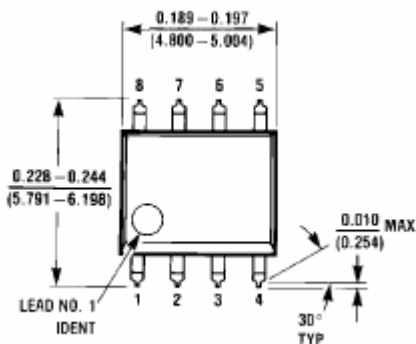
MC336-2.5

Physical Dimensions inches (millimeters) unless otherwise noted



H03H (REV C)

Order Number LM136H-2.5, LM136H-2.5/883, LM236H-2.5, LM136AH-2.5, LM136AH-2.5/883 or LM236AH-2.5
NS Package Number H03H



M08A (REV H)

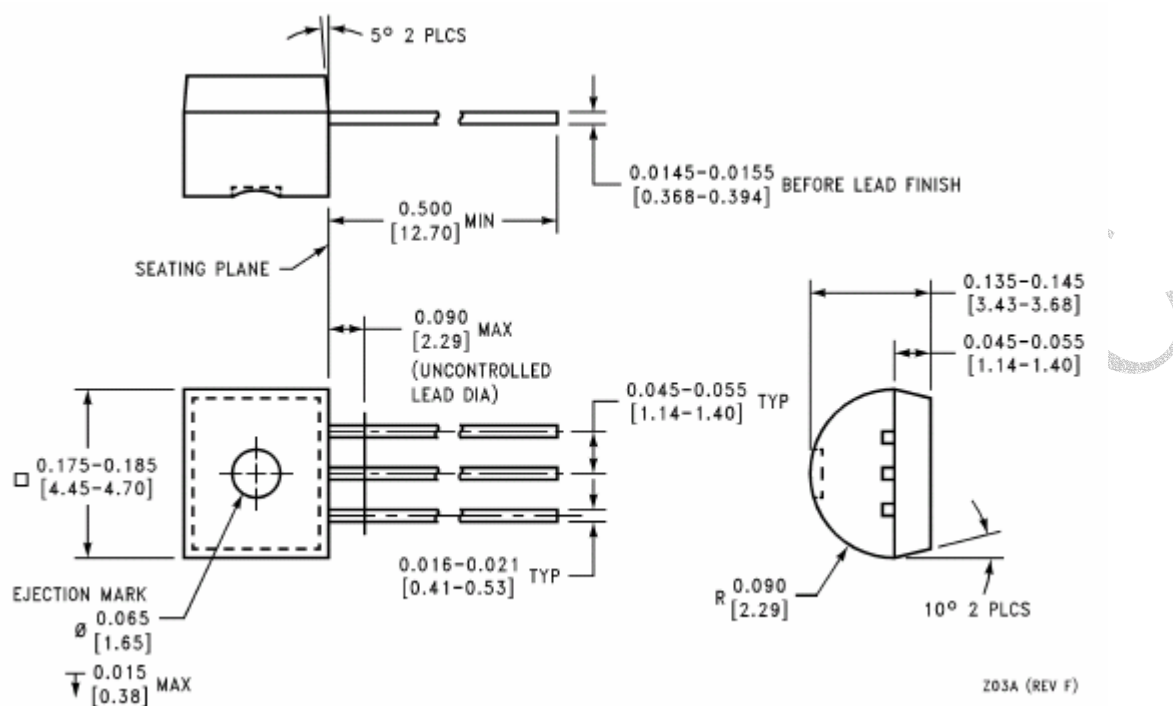
Small Outline (SO) Package (M)

Order Number LM236M-2.5, LM236AM-2.5, MC336M-2.5 or MC336BM-2.5

NS Package Number M08A

MC336-2.5

Physical Dimensions inches (millimeters) unless otherwise noted (Continued)



TO-92 Plastic Package (Z)

Order Number LM236Z-2.5, LM236AZ-2.5, MC336Z-2.5 or MC336BZ-2.5

NS Package Number Z03A

